

1

2

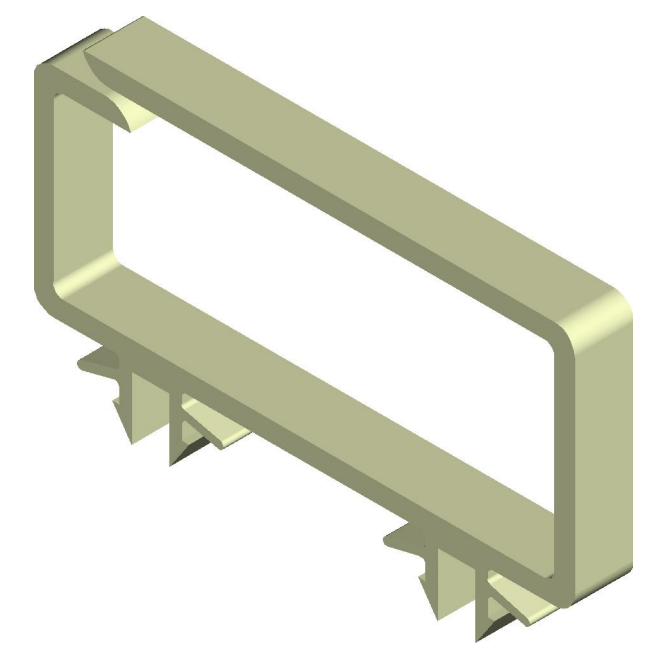
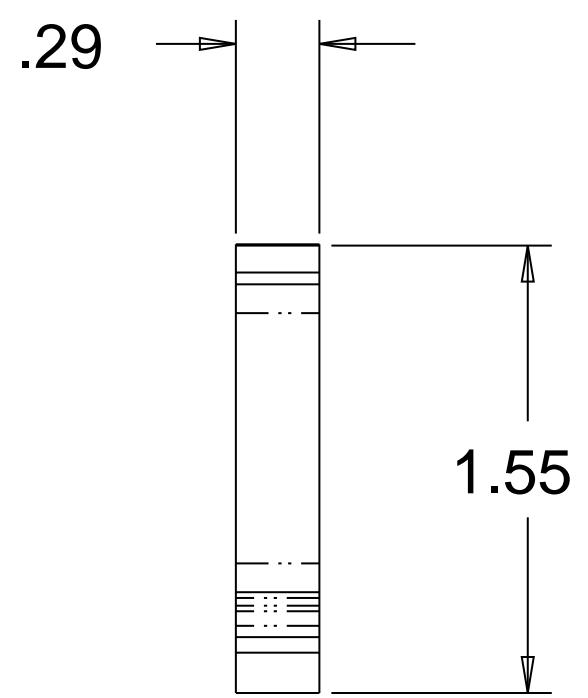
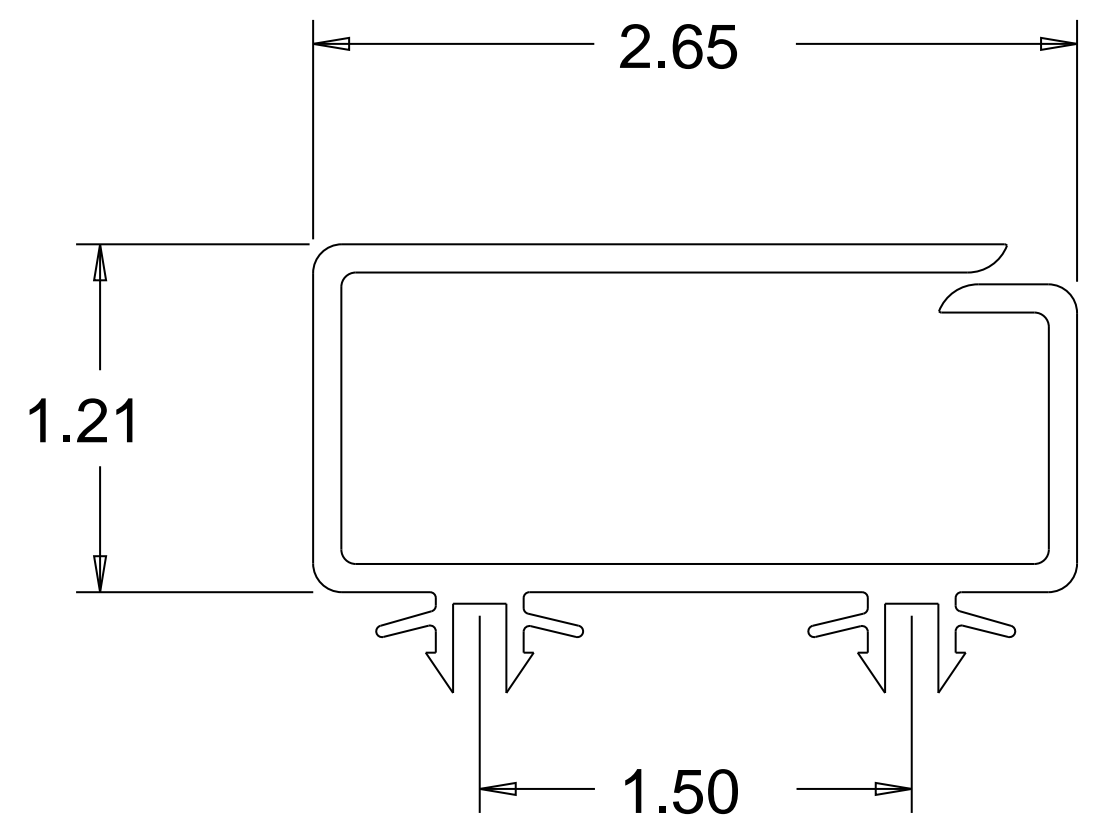
3

4

5

6

REV	DESCRIPTION	DATE
C	PRODUCTION RELEASE	04-28-09



D

D

C


C

B

B

A

A

UNLESS OTHERWISE SPECIFIED DIMENSIONS ARE IN INCHES		DRAWN: TARDIE R.	-DATE CHECKED-	 25 KENWOOD CIRCLE FRANKLIN, MA 02038
TOLERANCES		CHECKED:		
DECIMALS	ANGLES	CHECKED:		TITLE: ROUTING CLIP, LARGE HDX
.X ± .020	0° 30'	MATERIAL: WHITE ABS		SIZE B DWG. NO. A2E00215-06
.XX ± .01		THICKNESS: .100		SCALE 1.500
.XXX ± .005				SHEET 1 OF 1
FINISH: N/A				

1

2

3

4

5

6