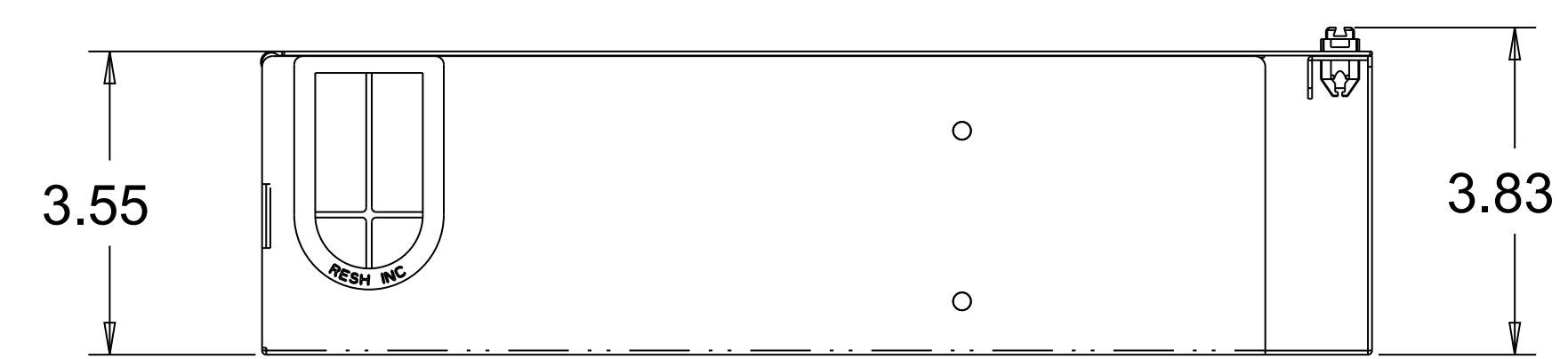
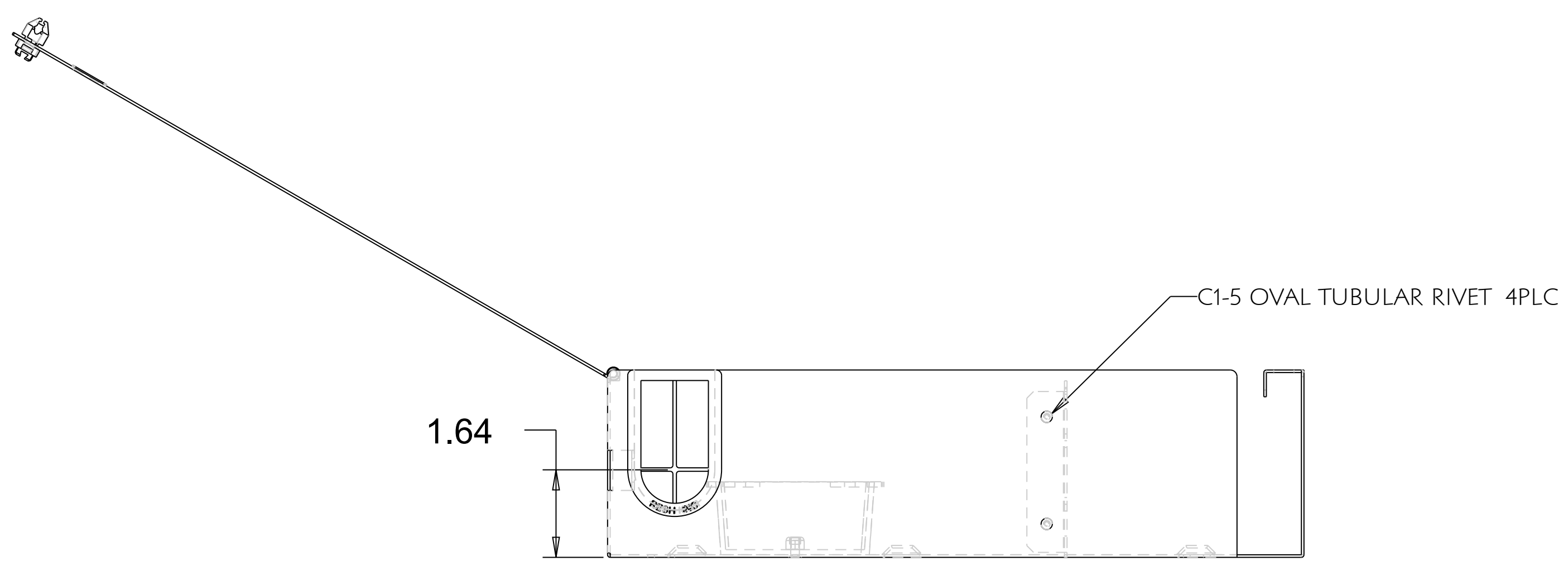
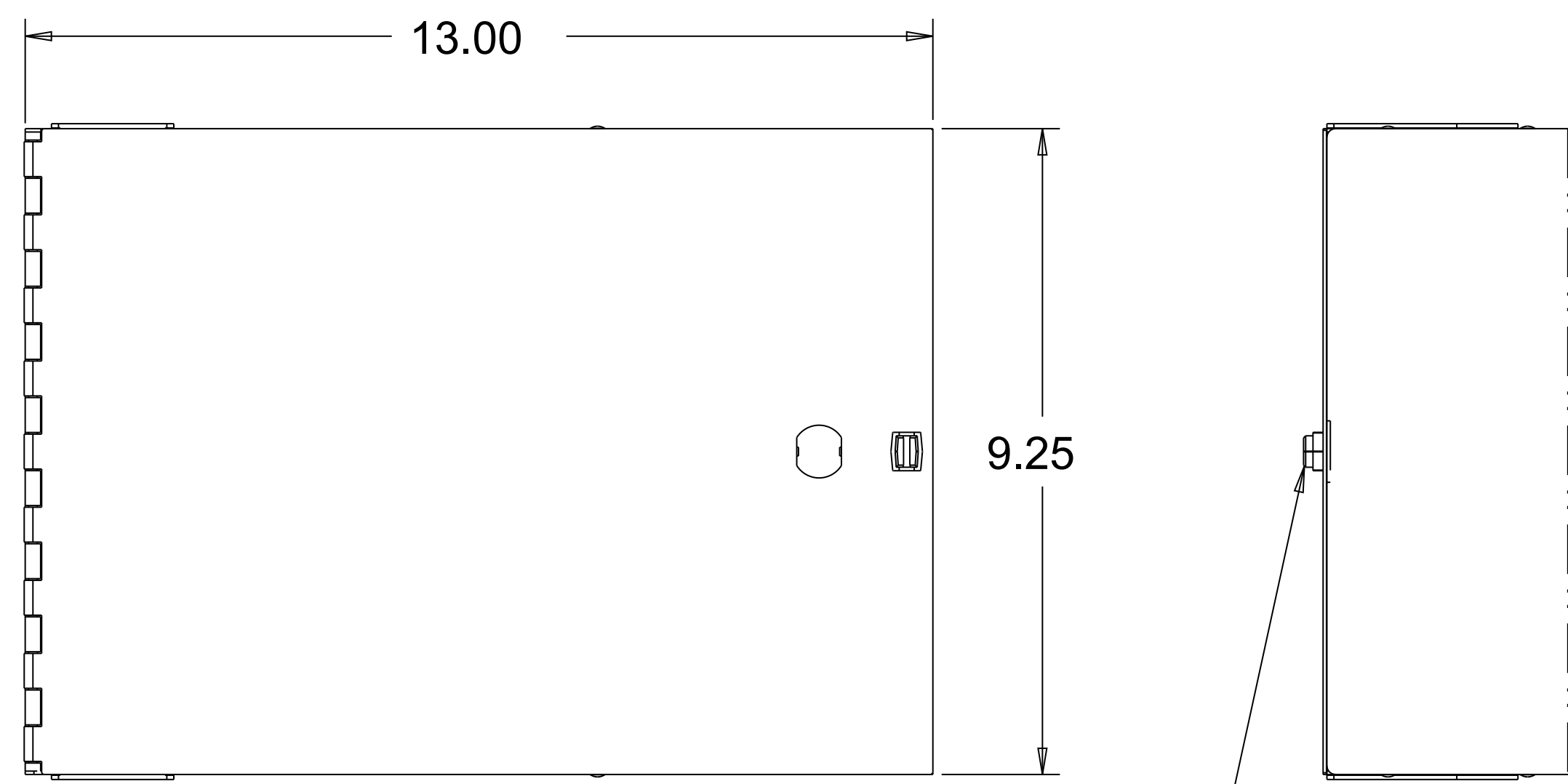
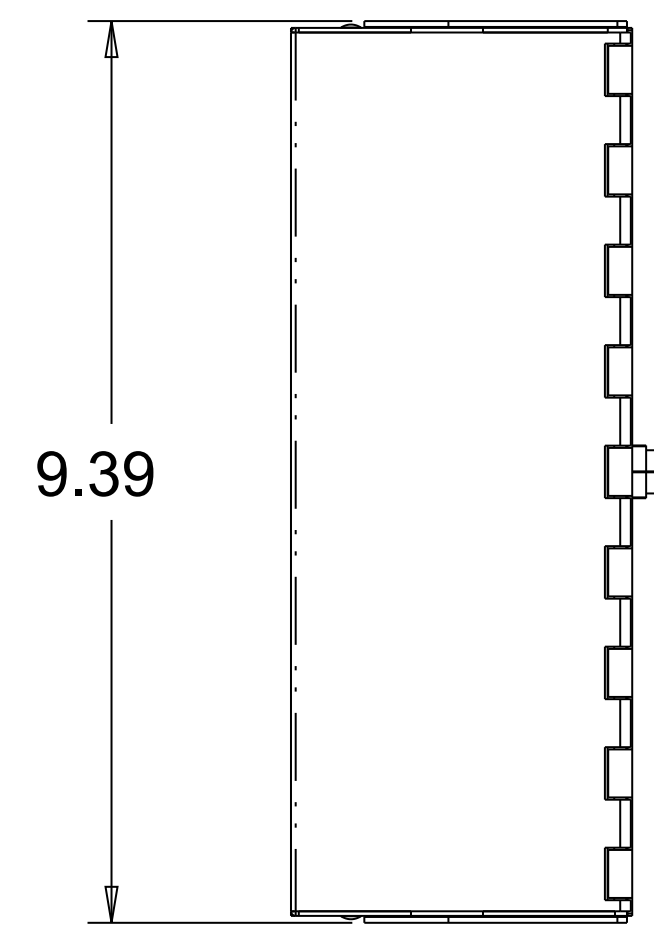
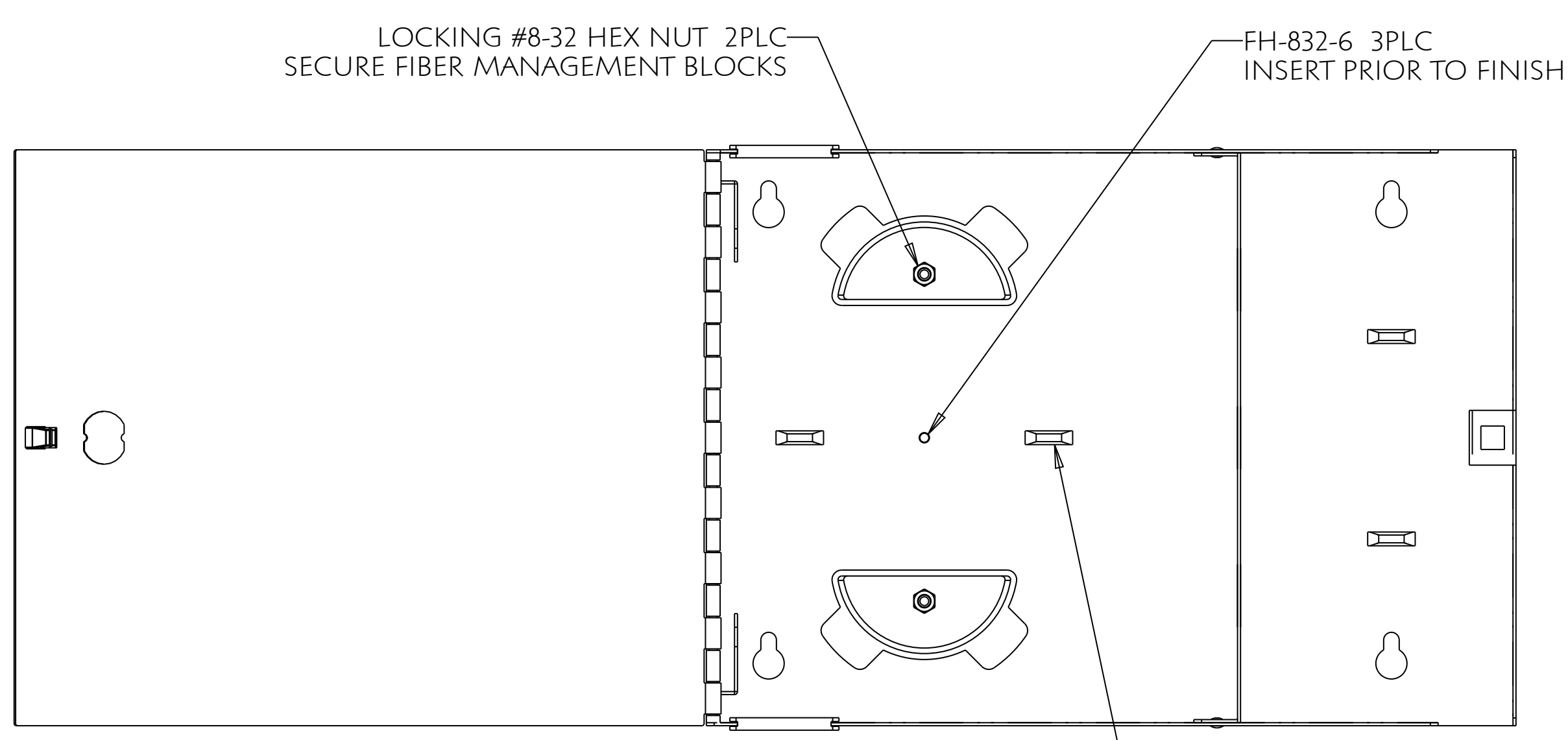
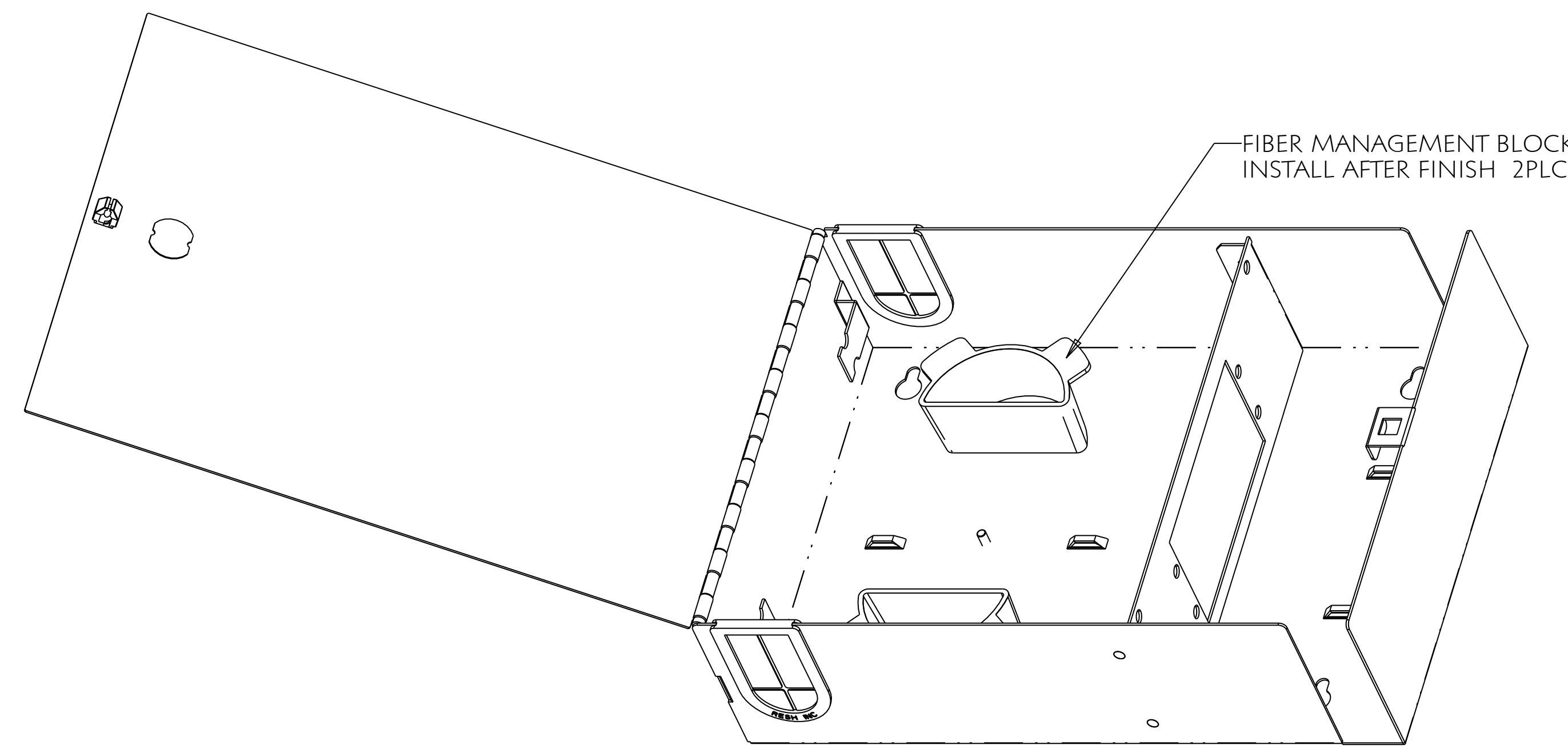


REV	DESCRIPTION	DATE
1	CUSTOMER MODIFIED	01-21-09
A	PRODUCTION RELEASE	03-17-09



ASSEMBLY KIT		UNLESS OTHERWISE SPECIFIED DIMENSIONS ARE IN INCHES		DRAWN: TARDIE R.		-DATE CHECKED-		 <small>25 KENWOOD CIRCLE FRANKLIN, MA 02038</small>	
1. TWO FIBER MANAGEMENT BLOCKS (INSTALLED)		TOLERANCES		CHECKED: SAL		03-13-09		WALLMOUNT, 12 PORT FIBER PATCH PANEL-WM2PBG	
2. TWO CABLE ACCESS GROMMETS (INSTALLED)		DECIMALS ANGLES		CHECKED: JFC		03-13-09			
3. FIBER ID STICKER (SUPPLIED)		.X ± .020		0° 30'		MATERIAL: CRS		D DWG. NO. R-1800-00-00	
4. FOUR 6" ZIP TIES (SUPPLIED)		.XX ± .01				THICKNESS: 0.048			
5. DANGER LASER STICKER (SUPPLIED)		.XXX ± .005		FINISH: POWDER COAT SHERWIN WILLIAMS #HBT2-30015 RAVEN BLACK					